

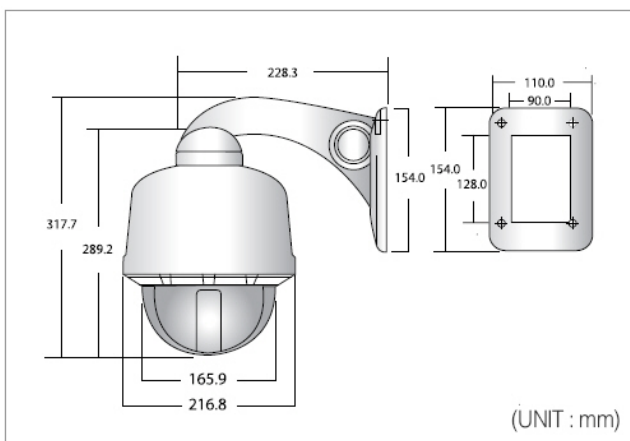
FW-1161SE / Network Dome Camera

FW-1161SE is a stand-alone **PTZ network camera** which has built-in PAN/TILT/ZOOM camera, web server and real time operation system. With powerful PTZ feature, you can remotely move camera to any direction or zoom in/out the object from anywhere though standard web browser. It delivers real time live videos at a rate up to 30fps over the TCP/IP network.

Fast PAN/TILT, Superb 420x zoom (35X Optical, 12X Digital zoom) and up to 250 presets function enable you to easily focus camera to the target location and zoom up the object with simple mouse click.

Day & Night camera function, IR Sensitivity, WDR (Wide Dynamic Range) for clear image view under back light situation and DSS (Digital slow shutter) to view object under low light condition are specific of the camera performance. Built-in motion detection, up to 5M pre/post alarm buffer, RS-232/RS-485 interface for serial input device, X10 device and advanced alarm notification interface for e-mail, FTP and third party program are some of key features.

It is widely used as a surveillance system for unmanned facilities, retail stores, accommodations, gas stations, etc. Having an advantage of flexibility of network video devices and digital interfacing to other systems, and it is also interoperated with various applications like as POS, Access Control, and Building Automation.



Dimension

Key Features

Superb Zoom and Camera performance

420x zoom (35x auto-focus optical / 12x digital), Day & Night, 0.4 lux, 0.1 lux (D&N), 0.0007 lux (DSS) /F1.6

High speed Pan/Tilt with 250 presets

Pan/Tilt angle 360° (endless) / 92° (auto flip)
Max speed: Pan-360°/sec, Tilt-240°/sec at Preset mode

WDR(Wide Dynamic Range)

Different exposure for different objects in a scene to enable object in both bright and dark areas to be visible.

Progressive scan or de-interlace

Provide D1 resolution image without distortion

EIS(Electric Image Stabilizer)

Reduces the variation on the image caused by wind or tremor

M-JPEG / MPEG-4 with 2 way audio

M-JPEG/MPEG-4 simultaneous dual stream
Synchronized 2 way audio is supported with M-JPEG and MPEG-4 1ch Audio-input / 1ch Audio-output

High Performance of video transmission

Up to 30/25 fps(NTSC/PAL)@4CIF, simplex

Vandal & weather proof

Weather proof (IP66) outdoor housing using die cast aluminium and anti-vandal PC(polycarbonate) dome cover that can withstand high impact with heater & blower for external or any tough environment.

Technical Specifications

Flex WATCH®

1161SE Network Dome Camera

Video Encoding	MJPEG / MPEG-4 (simultaneous dual stream)	Software (FW-Manager 3.xx)	Supports 16, 25, 36, 64, 128, 256ch (9ch freeware available) Full-featured PC NVR with matrix functionality (Minimum PC requirement - XP, 2000 / Pentium IV 1.6GHz or above / 256MByte RAM or above / 64MByte video memory or above)
Video channels	1ch Video-output.	System Integration Features	[Protocol] HTTP, HTTPS, RTP/RTSP, Multicast, 3GPP, TCP/IP, ARP, ICMP, Telnet, Ftp, PPPoE, SMTP, DHCP, NTP, uPNP, and etc. [SDK] Open HTTP API / ActiveX for live-cast with audio & PTZ [Service] Image upload service / notification service
Compression	MPEG-4: 6 levels (low compression / highest / high / normal / low / lowest), MJPEG: 1 level (highest)	Installation and maintenance	Configuration: installation wizard, HTTP, telnet and console. Upgrade firmware: HTTP, telnet & ftp (Firmware is available at www.flexwatch.com)
Resolution	4CIF - 704x480 (NTSC) / 704x576 (PAL) 2CIF - 704x240 (NTSC) / 704x288 (PAL) CIF - 352x240 (NTSC) / 352x288 (PAL) QCIF - 176x112 (NTSC) / 176x144 (PAL)	Misc.	Transmit serial input data with video Different time zones are supported Date and time can be synchronized with an external NTP server
Live Casting	Up to 30/25 fps@ CIF (12.5KB) when simplex	System hardware	32bit RISC CPU / Embedded Linux / 32MByte SDRAM / 8MByte Flash AC 24V/1.0A, 32~122F(0~50C), 20~80% RH
Network through-put control	Frame rate control / Bandwidth control / CBR	Approvals	MIC,FCC, CE, RoHS, IP66
Audio Encoding	ADPCM IMA 8kbps	Accessories	CD with installation wizard / User's manual / Quick installation manual / Transformer AC 24V(1.5A)[AC100~240V, 50/60Hz] / Power cord / LAN cable / Mounting brackets / Connector kit
Audio channels	1ch Audio input / 1ch Audio Full duplex live audio.	External Interface	10/100 Base T Ethernet(auto-sensing) 1 opto-coupled inputs or 1 digital inputs (NC/NO selectable) 1 relay outputs 1 audio input / 1 audio output Reset button for factory default 2 serial port (COM: RS-232, AUX: Built-in PTZ)
PTZ support	Max Speed: Pan 360°/sec, Tilt 200°/sec@preset mode Rotation Angle: Pan 360° (endless), Tilt: 92° (auto flip) Optical zoom x30, Digital zoom x10 250 Preset Positions, Swing, Group, 16 privacy zone.	Image sensor	1/4"Sony 410K Super HAD CCD Resolution: 520 TV Lines S/N ratio: 50dB or more(AGC OFF) Electronic shutter speed: 1/60 ~ 1/100,000 sec (NTSC) 1/50 ~ 1/100,000 sec(PAL) White Balance: ATW(Indoor: 3,000K~6,500K / outdoor: 1,800K ~ 10,500K),AWC,MWB
UART support	Console, By-pass command to control UART device X10 device command to control device over power line, Modem Support (ISDN, PSTN and GSM)	Lens	IRIS control: Auto & Manual F1.4-30, f=3.3mm wide to 99.0mm tele Angle of view: 2.3 ~ 62.0 horizontal Shutter speed: Auto or 1/120 ~ 1/60,000 sec
Alarm Management	[Trigger] Video loss / Video recovered / Motion detection (144 area) / 1 alarm inputs / Boot finished / Serial input / Schedule / Trigger combination is possible. [Alarm] Image holding service (Max 2.2MByte pre-post alarm buffer) Image upload service through E-mail / FTP (support pre & post) Notification service through TCP / UDP / HTTP / 1 alarm outputs	Image Setting	DIS (Digital Image Stabilizer) DSS (Digital Slow Shutter) SSNR (Noise Reduction at Low Light) ICR (Day & Night) AGC (Auto Gain Control) BLC (Back Light Compensation)
Dynamic IP support	IP notification by e-mail AOIP (Always On-IP, http://www.aoip.co.kr)	Minimum illumination	Color: 0.4 Lux (F1.6) D&N: 0.1 Lux (F1.6) DSS(Digital Slow Shutter):0.0007 Lux(F1.6)
Security	Channel based user password protection for live-cast, PTZ, alarm output and audio	Dimension	216.8 (D) x 289.2 (H)(in mm)
Software (default Web interface)	Live-cast, PTZ control, search through Web browser with audio (Minimum PC requirement - XP, 2000, Vista / IE 6.x or later/Pentium III 500MHz or above or equivalent AMD / 64MByte RAM or above / CDROM)	Weight	5.5Kg(12.11 lbs)

Accessory



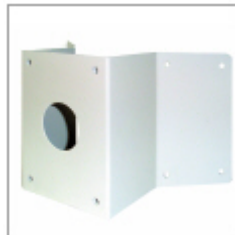
FSC-30EWP
*Basically included



FSC-20ECP



FSC-20PMA



FSC-20ECP

